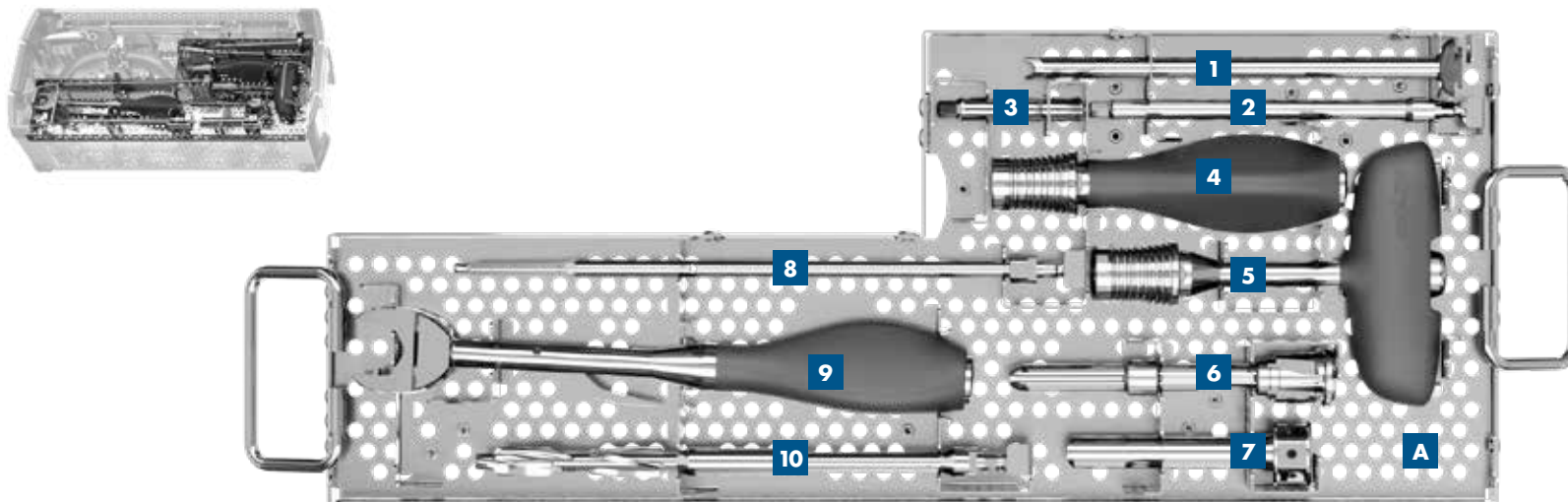


Tray layout card – T2 Alpha Femur Retrograde Indication Tray

T2 Alpha Femur Retrograde Insert: 2355-3920



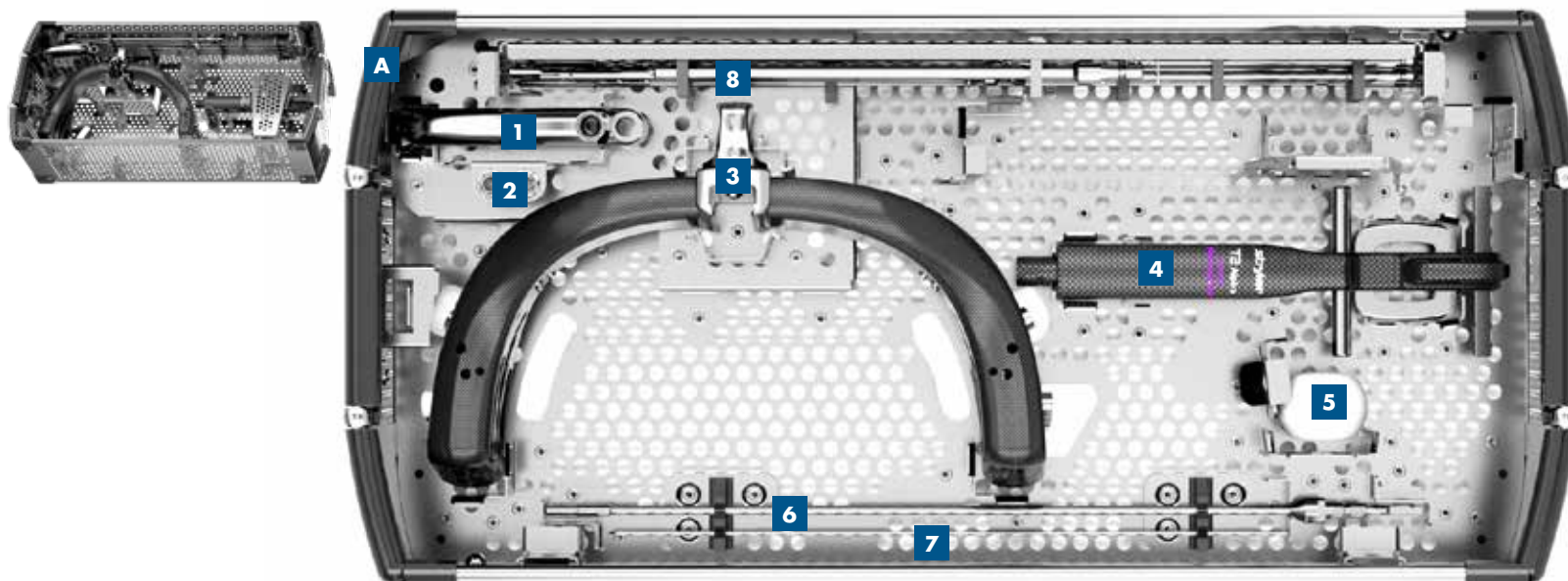
Optional

Ref#	Description	Qty	Ref#	Description	Qty
A 2355-3920	T2 Alpha Femur Retrograde Insert	1	5 2351-0145	Quick Lock T-Handle, Modified Trinkle	1
1 2351-0070	Tissue Protection Sleeve, Long	1			
2 2351-0330	Screwdriver Bit For Condyles	2			
3 1806-0257	Revision Screwdriver Bit T2 Femur	1			
4 2351-0140	Quick Lock Delta Handle, Modified Trinkle	1			
6 2351-6312	Opening Reamer Trocar Ø11.5mm	1			
7 2351-6212	Opening Reamer Sleeve Ø11.5mm	1			
8 2351-0335	Countersink Bit for Condyles*	1			
9 2351-6000	Opening Reamer Handle	1			
10 2351-6112	Opening Reamer Ø11.5mm	1			

*Available sterile and non-sterile; add an S to the ref# for sterile.

Tray layout card – T2 Alpha Femur Retrograde Indication Tray

T2 Alpha Femur Retrograde Indication Tray Bottom layer



Spare parts

The T2 Alpha Femur Retrograde Indication Tray 2355-3910 includes a full size lid (1806-9700). However, 1806-9700 can be ordered as a spare part if needed.

Ref#	Description	Qty
A 2355-3910	T2 Alpha Femur Retrograde Indication Tray	
1 2353-3903	Nail Adapter Femur Retrograde	1
2 2353-3904	Nail Holding Screw Femur Retrograde	2
3 2353-3907	DTD Femur Retrograde	1
6 2351-0250	External Compression Device Femur	1
7 0152-0218*	K-wire Ø1.8 X 310mm	2

Optional

Ref#	Description	Qty
4 2353-3908	PTD Short Femur Retrograde	1
5 2353-3909	Knob for PTD Short	1
8 2355-5030	Drills and Pins Insert	1

*Available sterile and non-sterile; add an S to the Ref# for sterile.

A surgeon must always rely on his or her own professional clinical judgment when deciding whether to use a particular product when treating a particular patient. Stryker does not dispense medical advice and recommends that surgeons be trained in the use of any particular product before using it in surgery.

The information presented is intended to demonstrate the breadth of Stryker product offerings. A surgeon must always refer to the package insert, product label and/or instructions for use before using any Stryker product. Products may not be available in all markets because product availability is subject to the regulatory and/or medical practices in individual markets. Please contact your Stryker representative if you have questions about the availability of Stryker products in your area. Stryker Corporation or its divisions or other corporate affiliated entities own, use or have applied for the following trademarks or service marks: Stryker, T2, T2 Alpha. All other trademarks are trademarks of their respective owners or holders.

