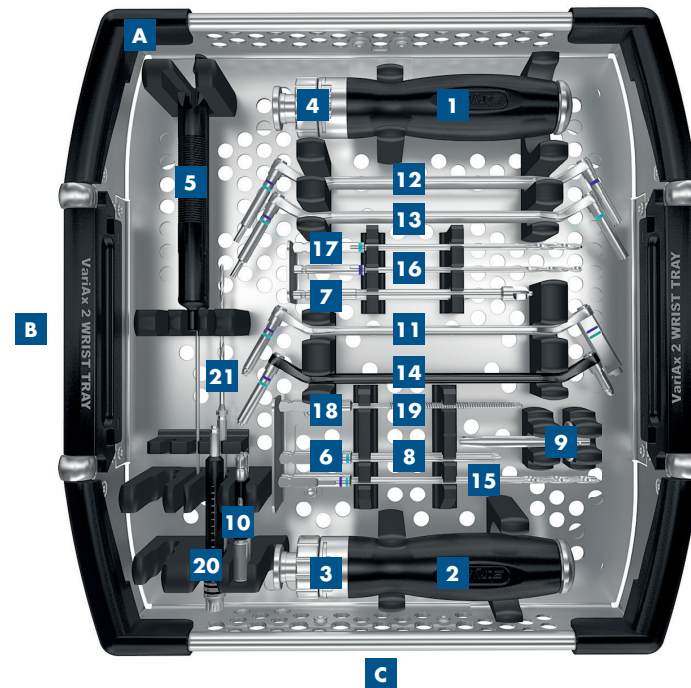


# Tray Layout Card – VariAx 2 Dedicated Wrist Tray (Top Level)

Including Anatomical Dorsal, DR Fragment Specific, Wrist Spanning, & Distal Ulna plates



## Instruments

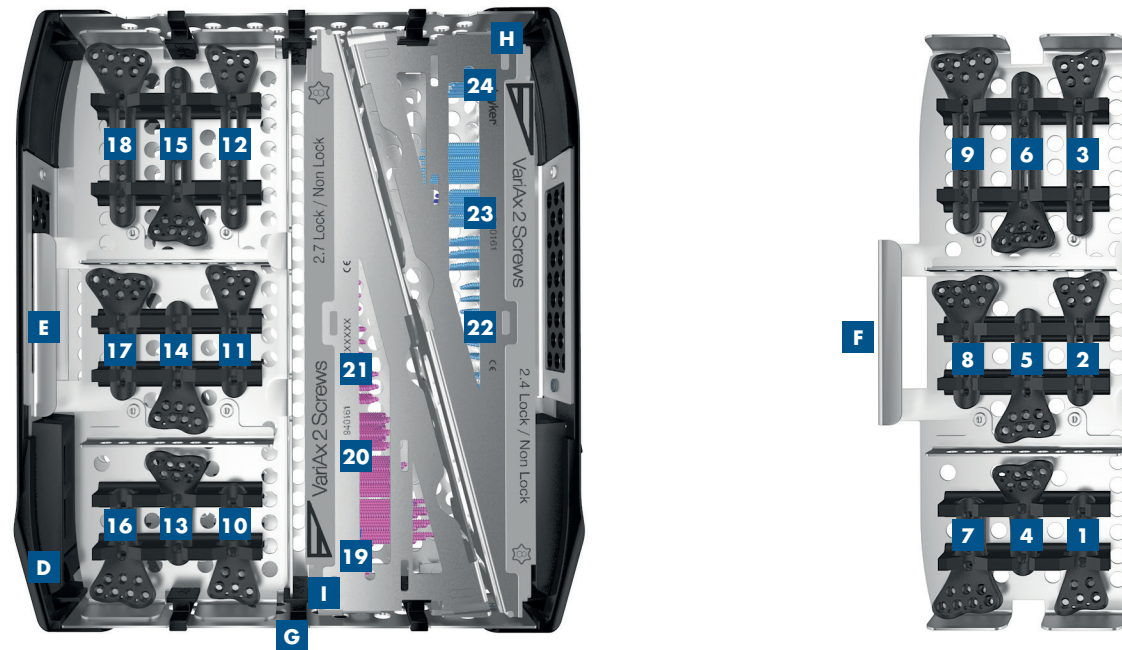
Ref#	Description	Qty	Ref#	Description	Qty
1	703921 Handle, Medium	1	16	703897 Overdrill, AO, Ø2.7mm x 122mm *New	1
2	703921 Handle, Medium	1	17	703696 Overdrill, AO, Ø2.4mm x 122mm	1
3	703922 Handle Insert, AO, Ratchet, Cannulated	1	18	703899 Tap, AO, for 2.7mm Screws	1
4	703922 Handle Insert, AO, Ratchet, Cannulated	1	19	703900 Tap, AO, for 2.4mm Screws	1
5	703885 Depth Gauge, 2.4mm – 3.5mm Screws	1	20	703888 SpeedGuide™, for Ø2.4mm / Ø2.7mm Screws, T8 (L = 30mm) *New	1
6	703664 Screwdriver Blade T8 AO	1	21	703891 SpeedGuide™ Drill, AO, Ø2.0mm (L = 30mm)	1
7	45-80040 Countersink for Screws 2.7mm / 3.5mm	1			
8	703663 Screwdriver Blade, AO, T8, Self Retaining	1			
9	703675 Holding Sleeve Universal	1			
10	703927 Joystick for T8 Screw Holes	2			
11	703684 Drill Guide, Comp / Poly Ø2.0mm Drill	1			
12	703884 Drill Guide, Ø2.7mm Indep. Lag Screw	1			
13	703688 Drill Guide Ø2.4mm Indep. Lag Screw	1			
14	703902 Drill Guide K-Wire / Fixed Angle T8; Ø1.1mm, Ø2.0mm	1			
15	703896 Drill Bit, AO, Ø2.0mm x 135mm, Scaled *New	2			

Tray		
Ref#	Description	Qty
A	940213 Upper Tray, Dedicated Wrist	1
B	1500-0006 Lower Tray 2 Level	1
C	940347 Wrist Tray Top Labeling Clip	1

\*Indicates a new item.

# Tray Layout Card – VariAx 2 Dedicated Wrist Tray (Drawer 1)



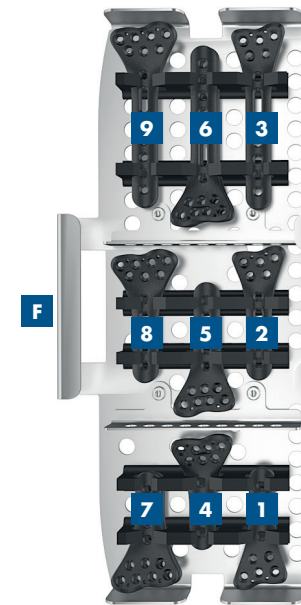
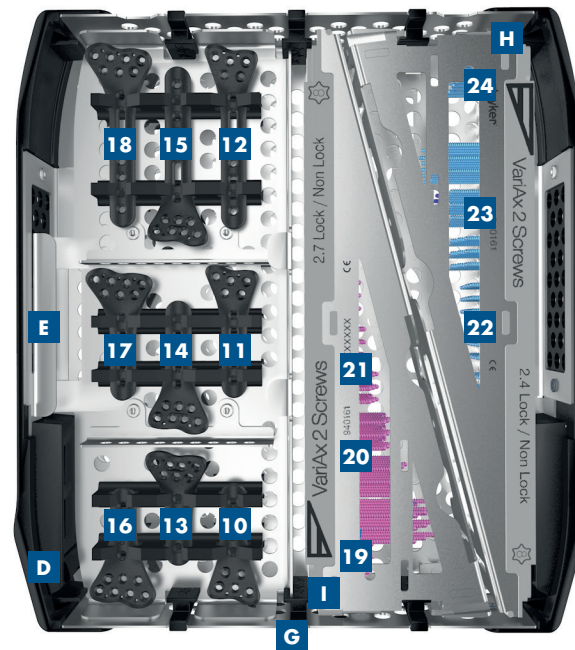
**Anatomical Volar DR Plate (Left)**

Ref#	Description	Length (mm)	Qty
1	54-25573 Narrow, Left, Extra-Short	49	2
2	54-25374 Narrow, Left, Short	56	2
3	54-25375 Narrow, Left, Long	76	2
4	54-25673 Intermediate, Left Extra-Short	49	2
5	54-25674 Intermediate, Left Short	56	2
6	54-25677 Intermediate, Left, Long	76	2
7	54-25773 Standard, Left, Extra-Short	49	2
8	54-25376 Standard, Left, Short	56	2
9	54-25377 Standard, Left, Long	76	2

**Anatomical Volar DR Plate (Right)**

Ref#	Description	Length (mm)	Qty
10	54-25583 Narrow, Right, Extra-Short	49	2
11	54-25384 Narrow, Right Short	56	2
12	54-25385 Narrow, Right, Long	76	2
13	54-25683 Intermediate, Right, Extra-Short	49	2
14	54-25684 Intermediate, Right, Short	56	2
15	54-25687 Intermediate, Right, Long	76	2
16	54-25783 Standard, Right, Extra-Short	49	2
17	54-25386 Standard, Right, Short	56	2
18	54-25387 Standard, Right, Long	76	2

# Tray Layout Card – VariAX 2 Dedicated Wrist Tray (Drawer 1)



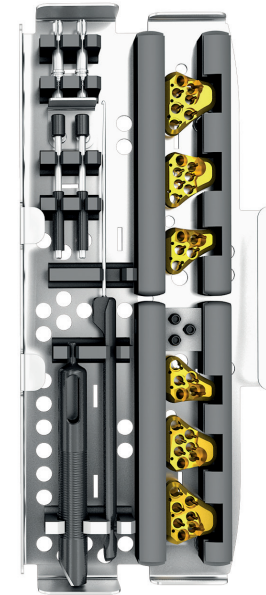
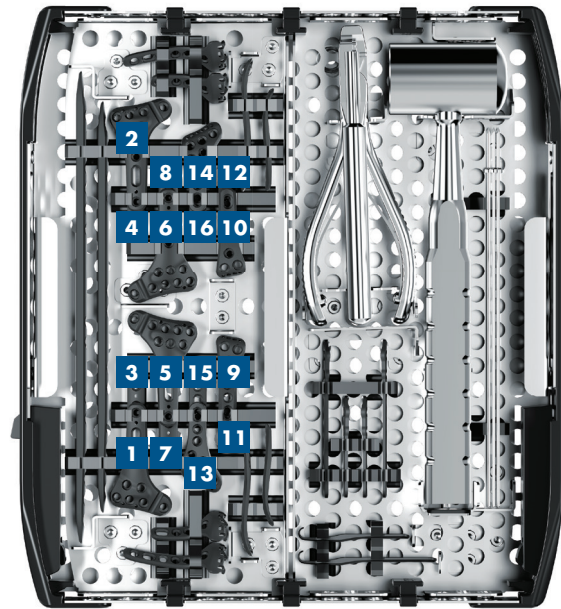
## Locking and Non-Locking Screws

Ref#	Description	Length (mm)
19 656008-656038	Ø2.4mm Locking Screw, T8, Full Thread	8 - 38
20 656108-656138	Ø2.4mm Non - Locking Screws	8 - 38
21 656616-656626	Ø2.0mm Locking Pegs, T8	16 - 26
22 656308-656350	Ø2.7mm Locking Screws	8 - 50
23 656408-656450	Ø2.7mm Non-Locking Screws	8 - 50
24 656516-656526	Ø2.7mm Non-Locking Partially Threaded Screws	16 - 26

## Tray

Ref#	Description	Qty
D 1500-0005	Drawer for Modules & Screw Racks	1
E 940277	Volar Distal Radius Plate Insert, Right	1
F 940278	Volar Distal Radius Plate Insert, Left	1
G 940348	Wrist Tray Screw Drawer Clip	1
H 940234	Screw Rack for Ø2.7mm Screws, T8	1
I 940235	Screw Rack for Ø2.4mm Screws, T8	1

# Tray Layout Card – VariAx 2 Dedicated Wrist Tray (Drawer 2)



## Anatomical Dorsal DR Plate

Ref#	Description	Length (mm)	Qty
1	625090 Dorsal DR Plate, Narrow, Right, Short	47	1
2	625091 Dorsal DR Plate, Narrow, Left, Short	47	1
3	625094 Dorsal DR Plate, Narrow, Right, Long	58	1
4	625095 Dorsal DR Plate, Narrow, Left, Long	58	1
	625098S Dorsal DR Plate, Narrow, Right, X-Long	69	0
	625099S Dorsal DR Plate, Narrow, Left, X-Long	69	0
5	625092 Dorsal DR Plate, Wide, Right, Short	49	1
6	625093 Dorsal DR Plate, Wide, Left, Short	49	1
7	625096 Dorsal DR Plate, Wide, Right, Long	60	1
8	625097 Dorsal DR Plate, Wide, Left, Long	60	1
	625100S Dorsal DR Plate, Wide, Right, X-Long	71	0
	625101S Dorsal DR Plate, Wide, Left, X-Long	71	0

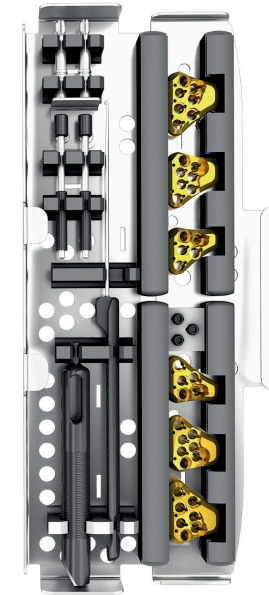
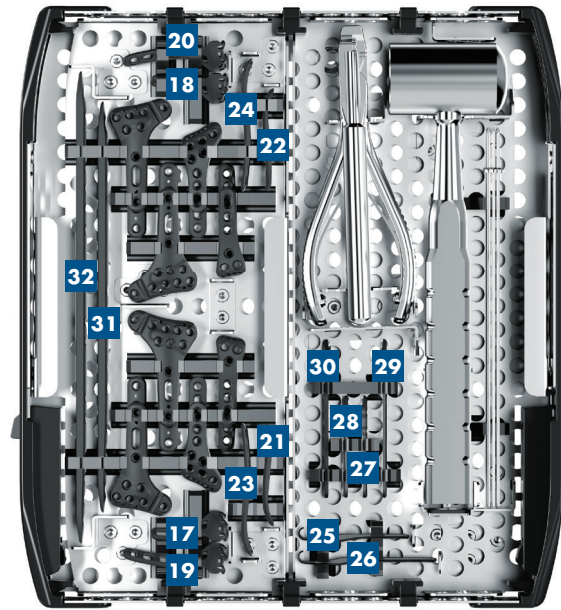
## Anatomical Fragment Specific Plates (Dorsal Medial DR Plate)

Ref#	Description	Length (mm)	Qty
9	625130 Dorsal Medial DR Plate, Right, Short	39	1
10	625131 Dorsal Medial DR Plate, Left, Short	39	1
11	625132 Dorsal Medial DR Plate, Right, Long	49	1
12	625133 Dorsal Medial DR Plate, Left, Long	49	1

## Anatomical Fragment Specific Plates (Dorsal Lateral DR Plate)

Ref#	Description	Length (mm)	Qty
13	625140 Dorsal Lateral DR Plate, Right, Short	39	1
14	625141 Dorsal Lateral DR Plate, Left, Short	39	1
15	625142 Dorsal Lateral DR Plate, Right, Long	49	1
16	625143 Dorsal Lateral DR Plate, Left, Long	49	1

# Tray Layout Card – VariAx 2 Dedicated Wrist Tray (Drawer 2)



## Anatomical Fragment Specific Plates (Volar Rim Plate)

Ref#	Description	Length (mm)	Qty
17	625150 Volar Rim DR Plate, Right, Short	32	1
18	625151 Volar Rim DR Plate, Left, Short	32	1
19	625152 Volar Rim DR Plate, Right, Long	43	1
20	625153 Volar Rim DR Plate, Left, Long	43	1

## Anatomical Fragment Specific Plates (Lateral DR Plate)

Ref#	Description	Length (mm)	Qty
21	625120 Lateral DR Plate, Right, Short	43	1
22	625121 Lateral DR Plate, Left, Short	43	1
23	625122 Lateral DR Plate, Right, Long	56	1
24	625123 Lateral DR Plate, Left, Long	56	1

## Anatomical Distal Ulna Plates

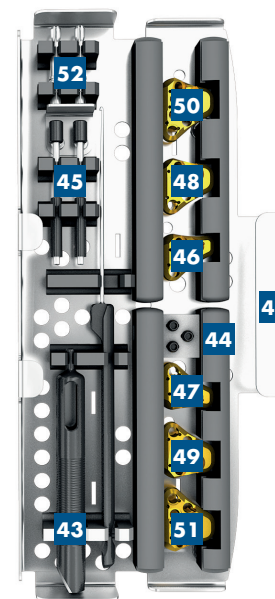
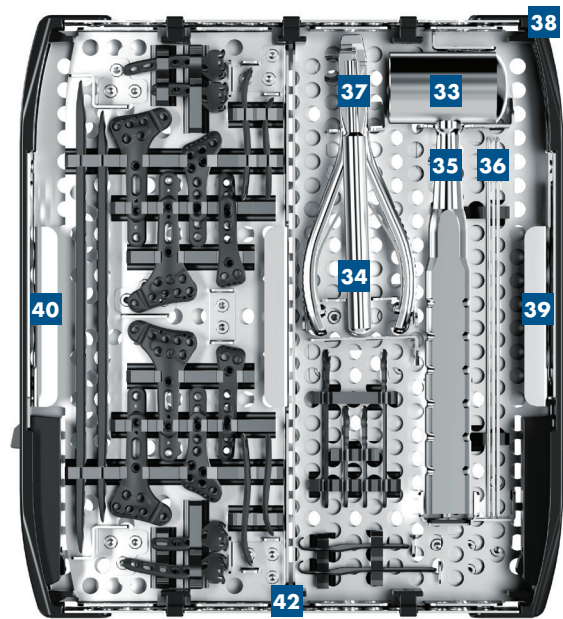
Ref#	Description	Length (mm)	Qty
25	625102+ Distal Ulna Hook Plate, Right, Short	47	1
26	625104+ Distal Ulna Hook Plate, Left, Long	58	1
27	625110+ Distal Ulna Base Plate, Right, Short	43	1
28	625111+ Distal Ulna Base Plate, Left, Short	43	1
29	625112+ Distal Ulna Base Plate, Right, Long	67	1
30	625113+ Distal Ulna Base Plate, Left, Long	67	1

## Wrist Spanning Plates

Ref#	Description	Length (mm)	Qty
31	625106+ Wrist Spanning Plate, Standard	172	1
32	625108+ Wrist Spanning Plate, Long	198	1

+This product is not CE marked in accordance with applicable EU regulations and directives. Stryker is not marketing or distributing this product in the EU. Any reference to this product is for presentation purposes only.

# Tray Layout Card – VariAx 2 Dedicated Wrist Tray (Drawer 2)



## Fragment Specific Instruments

Ref#	Description	Qty
<b>33</b> 43-09830	Mallet, 250g	1
<b>34</b> 64-00011	Tamp	1
<b>35</b> 07-40281	K-Wire, 1.1mm x 160mm (Pack of 10)	1
<b>36</b> 56-40281	K-Wire with Olive Stop, 1.4 mm (Pack of 5)	1
<b>37</b> 64-20118	K-Wire, Bending Pliers, 126mm	1

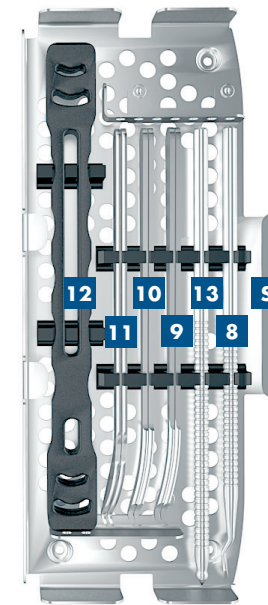
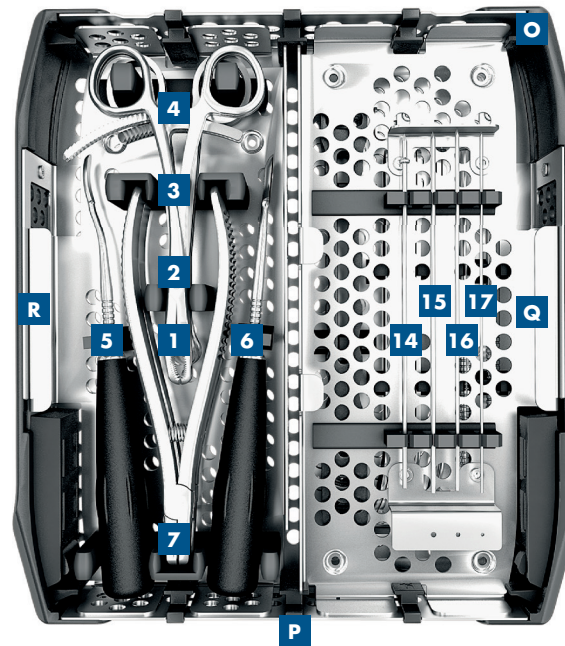
## Tray

Ref#	Description	Qty
<b>38</b> 1500-0005	Drawer for Modules & Screw Racks	1
<b>39</b> 940199	Insert DU Plates & Frag Spec Instruments	1
<b>40</b> 940198	Insert DR & Wrist Spanning Plates	1
<b>41</b> 940272	Distal Radius Aiming Block Insert	1
<b>42</b> 940458	Wrist Add-on Clip DR DU & Spanning Plates	1

## Aiming Block Instruments (Optional)

Ref#	Description	Qty
<b>43</b> 703885	Depth Gauge, Ø2.4mm – Ø3.5mm VariAx Screws	1
<b>44</b> 56-01210	Distal Radius Aiming Block Fixation Pin	3
<b>45</b> 56-01310	Distal Radius Aiming Block Joystick	2
<b>46</b> 56-01410	Distal Radius Volar Aiming Block, Narrow, Right	1
<b>47</b> 56-01510	Distal Radius Volar Aiming Block, Narrow, Left	1
<b>48</b> 56-01610	Distal Radius Volar Aiming Block, Standard, Right	1
<b>49</b> 56-01710	Distal Radius Volar Aiming Block, Standard, Left	1
<b>50</b> 56-01810	Distal Radius Volar Aiming Block, Intermediate, Right	1
<b>51</b> 56-01910	Distal Radius Volar Aiming Block, Intermediate, Left	1
<b>52</b> 56-02020	Distal Radius Volar Aiming Block, Drill Sleeve 2.0mm	2

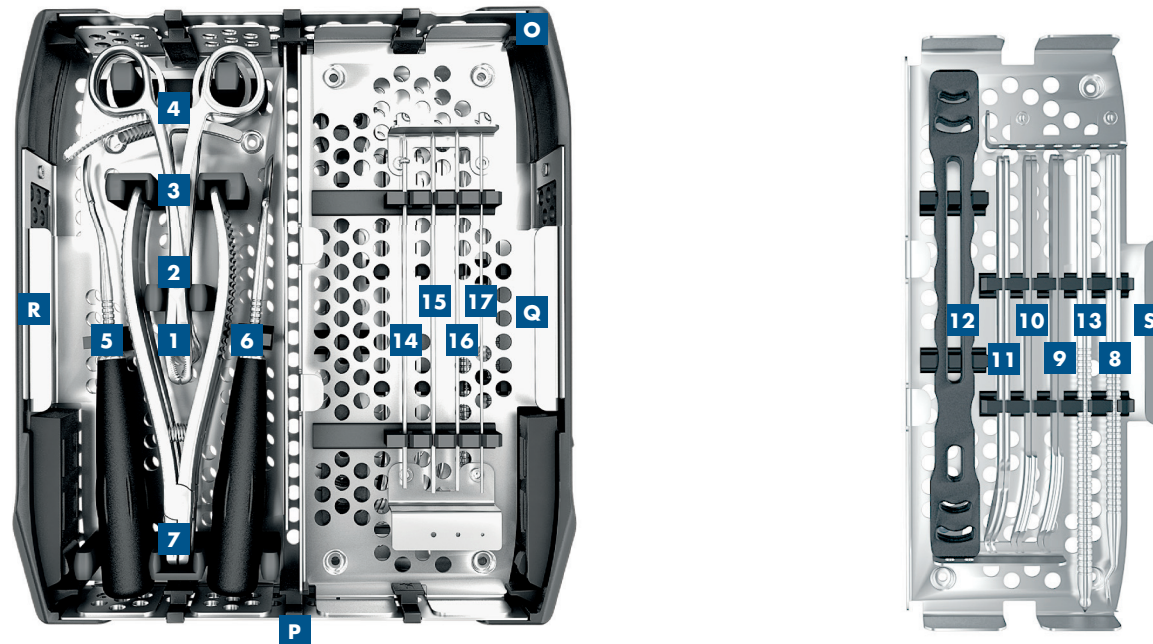
# Tray Layout Card – VariAx 2 Dedicated Wrist Tray (Drawer 3)



## Instruments

Ref#	Description	Qty	Ref#	Description	Qty
1	705297 Straight Reduction Clamp, Broad	1	9	700664 Hohmann Retractor Width 6mm	1
2	703822 Straight Reduction Clamp	1	10	700665 Hohmann Retractor Width 8mm	1
3	702926 Repositioning Forceps L130mm	1	11	700667 Hohmann Retractor Width 15mm	1
4	702932 Repositioning Forceps L143mm	1	12	703938 Bending Iron for VariAx Plates	2
5	705294 Periosteal Elevator, Round Edge 6mm	1	13	700153 Ball Spike	1
6	705295 Periosteal Elevator, Flat Blade 13mm	1	14	703818 Ø2mm K-Wire with Stop for T10 Screw Head	1
-	705293 Periosteal Elevator, Straight Edge 6mm	Optional	15	390192 K-Wire, Ø2.0mm x 150mm (pack of 10)	1
-	705296 Periosteal Elevator, Curved Blade 13mm	Optional	16	390164 K-Wire, Ø1.6mm x 150mm (pack of 10)	1
7	45-80010 Plate Bending Pliers	2	17	390157 K-Wire, Ø1.25mm x 150mm (pack of 10)	1
8	700151 Hook and Ball Spike	1			

# Tray Layout Card – VariAx 2 Dedicated Wrist Tray (Drawer 3)



## Tray

Ref#	Description	Qty
<b>O</b> 1500-0005	Drawer for Modules & Screw Racks	1
<b>P</b> 940350	Wrist Tray Reduction Instrument Clip	1
<b>Q</b> 940250	Reduction Instrument Insert 1	1
<b>R</b> 940251	Reduction Instrument Insert 2	1
<b>S</b> 940252	Reduction Instrument Insert 3	1

This document is intended solely for the use of healthcare professionals. A surgeon must always rely on his or her own professional clinical judgment when deciding whether to use a particular product when treating a particular patient. Stryker does not dispense medical advice and recommends that surgeons be trained in the use of any particular product before using it in surgery. The information presented is intended to demonstrate a Stryker product. A surgeon must always refer to the package insert, product label and/or instructions for use, including the instructions for Cleaning and Sterilization (if applicable), before using any Stryker product. Products may not be available in all markets because product availability is subject to the regulatory and/or medical practices in individual markets. Please contact your Stryker representative if you have questions about the availability of Stryker products in your area. Stryker Corporation or its divisions or other corporate affiliated entities own, use or have applied for the following trademarks or service marks: Asnis, Stryker, VariAx. All other trademarks are trademarks of their respective owners or holders.

Unless otherwise noted, all products listed above are CE marked.

Content ID: VAX-TLC-28, 02-2022

Copyright © 2022 Stryker



**Manufacturer:**  
Stryker GmbH  
Bohnackerweg 1  
2545 Selzach  
Switzerland  
www.stryker.com

CE0123